

Specification sheet LX 481

Parapet roof drainage systems Series 79/88 RAINSTAR®

Emergency drainage

Gravity flow

Silent Power

Discharge rate:	9,0 l/sec
Water height:	75 mm
Roof penetration:	106 mm
Diameter:	DN 100
LX-Number:	LX 481
Weir height:	35 mm
Drain:	ventilated
Downpipe:	not ventilated
Downpipe height:	4,2 m
Drainage:	on floor
Flange form:	Clamping flange

LX 481 Piece list

1 x Art.-No. choose drain on page two!

1 x Art.-No. 01401.100X, LORO-X pipe with one socket

1 x Art.-No. 00200.DD0X, LORO-X branch

1 x Art.-No. 00805.100X, LORO-X closing plug

1 x Art.-No. 01011.100X, LORO-X pipe with one socket

1 x Art.-No. 00320.100X, LORO-X bend

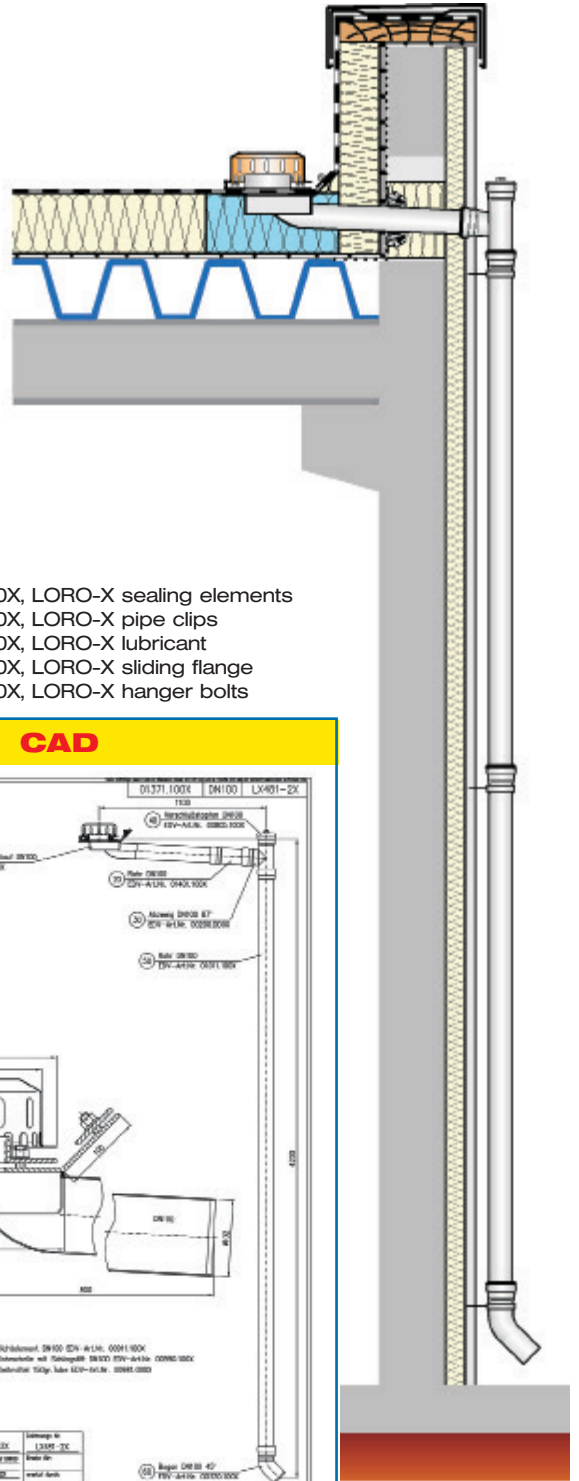
4 x Art.-No. 00911.100X, LORO-X sealing elements

3 x Art.-No. 00975.100X, LORO-X pipe clips

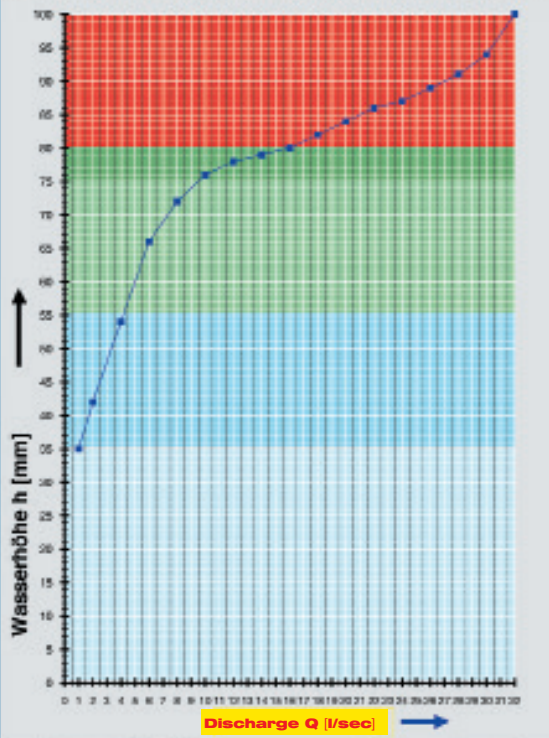
1 x Art.-No. 00986.000X, LORO-X lubricant

1 x Art.-No. 13235.100X, LORO-X sliding flange

3 x Art.-No. 09604.200X, LORO-X hanger bolts

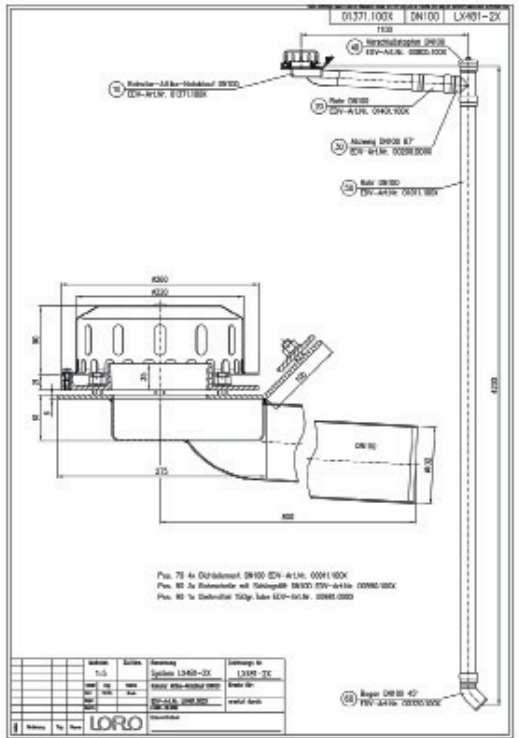


hQ - Head-Discharge curve



Systempower

CAD



Systemshape

Water height	mm	5	10	15	20	25	30	35	40	45	50	55	60	65	70	75
Discharge	l/sec							1,0	1,6	2,3	3,2	4,2	5,0	5,8	7,3	9,0
								Silent			Silent Power					

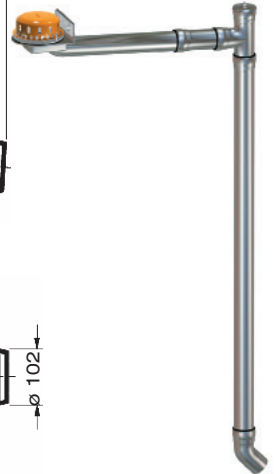
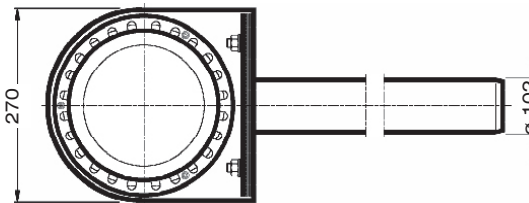
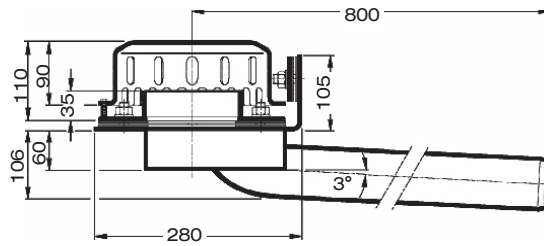
Choose drain for piece list on page one!

DN 100

LX481-1X

Drain Art.-No. 01373.100X
Weight: 6,9 kg

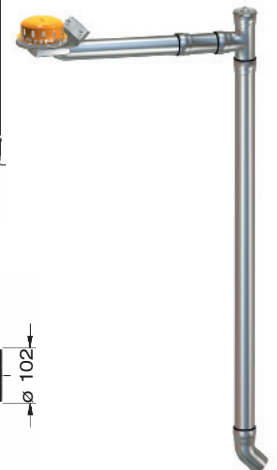
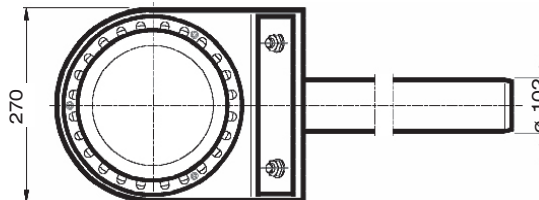
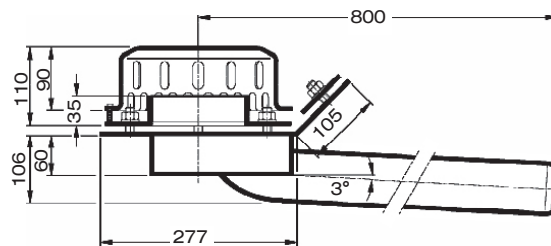
Series 79 (RB)
clamping flange 90°
for plastic roofing sheets



LX481-2X

Drain Art.-No. 01371.100X
Weight: 6,9 kg

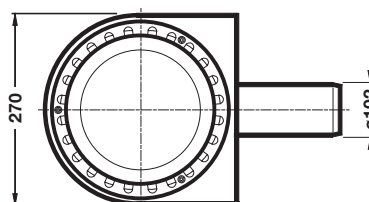
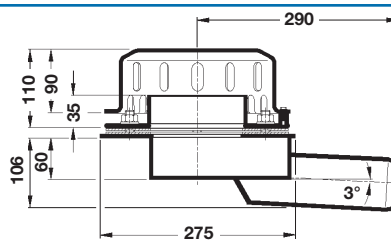
Series 79 (RB)
clamping flange 45°
for bituminous roofing sheets



LX481-4X

Drain Art.-No. 01391.100X
Weight: 4,3 kg

Series 88
clamping flange
without raised edge
for bituminous and plastic
roofing sheets



Heat tracing: Lorowerk recommends to check all drains and pipes with regard to their frost-sensibility. Where necessary, these parts should be upgraded with heat tracing.